

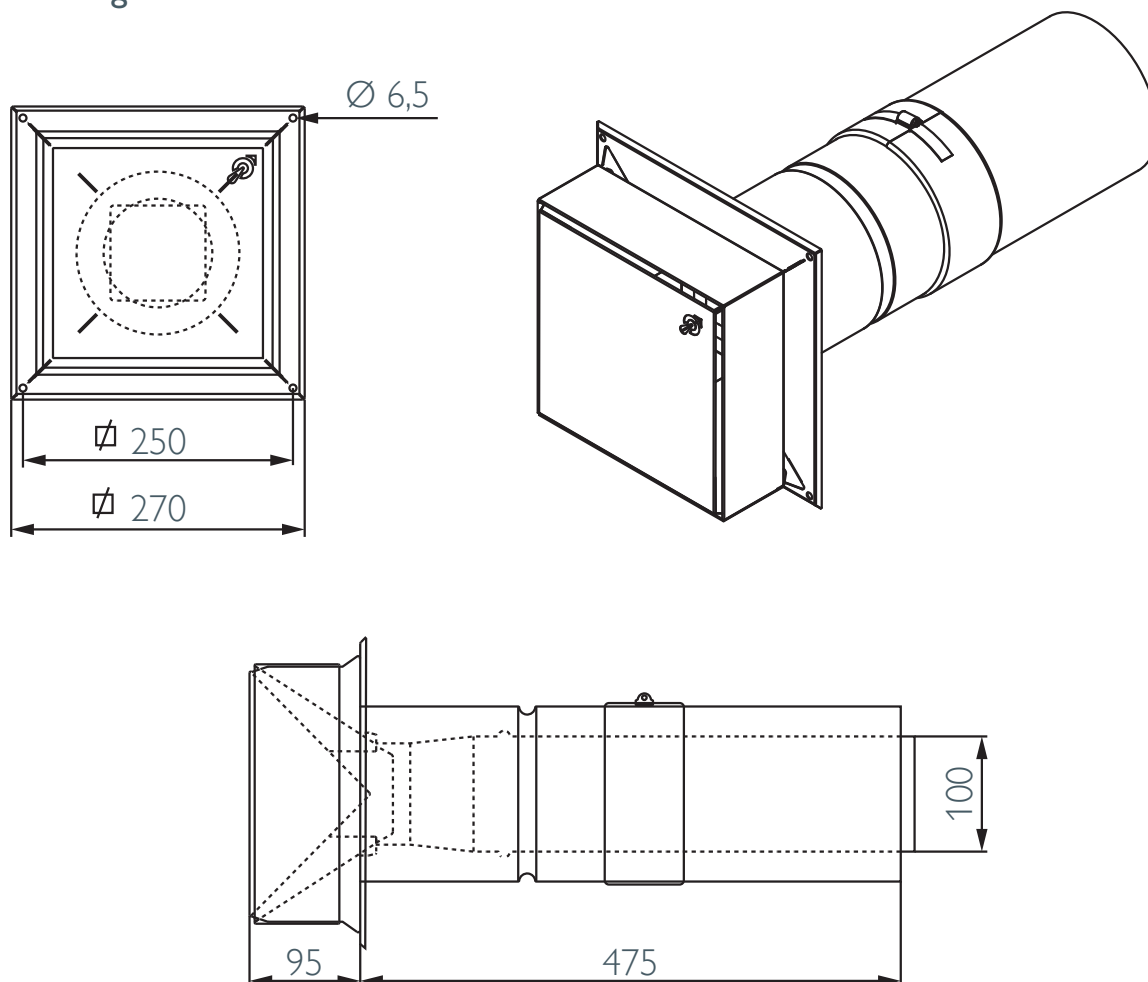
USDHC3 10

Horizontal terminal + USAB

Durchführung waagrecht + USAB

Sortie horizontale + USAB

Geveluitmonding + USAB



Ø 100

SAPcode163796