

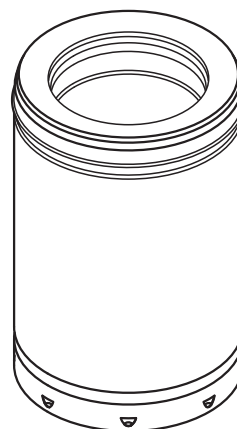
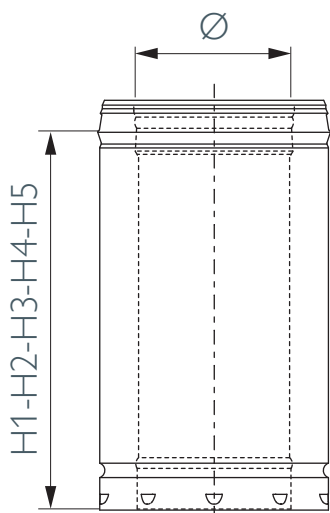
# AT 100/50/40/30/20

Length

Längenelement

Longueur

Sectie



Ø	130	150	180	200	250	300	350*	400*
H1	965	965	965	965	965	965	965	965
H2	500	500	500	500	500	500	500	500
H3	400	400	400	400	400	-	-	-
H4	300	300	300	300	300	300	300	300
H5	200	200	200	200	200	-	-	-

SAPcode

AT 100	159367	159368	159369	159370	159371	159372	159373	159374
AT 50	159393	159394	159395	159396	159397	159398	159399	159400
AT 40	159388	159389	159390	159391	159392	---	---	---
AT 30	159380	159381	159382	159383	159384	159385	159386	159387
AT 20	159375	159376	159377	159378	159379	---	---	---

\*On request only | \*Nur auf Anfrage | \*Uniquement sur demande | \*Enkel op aanvraag