

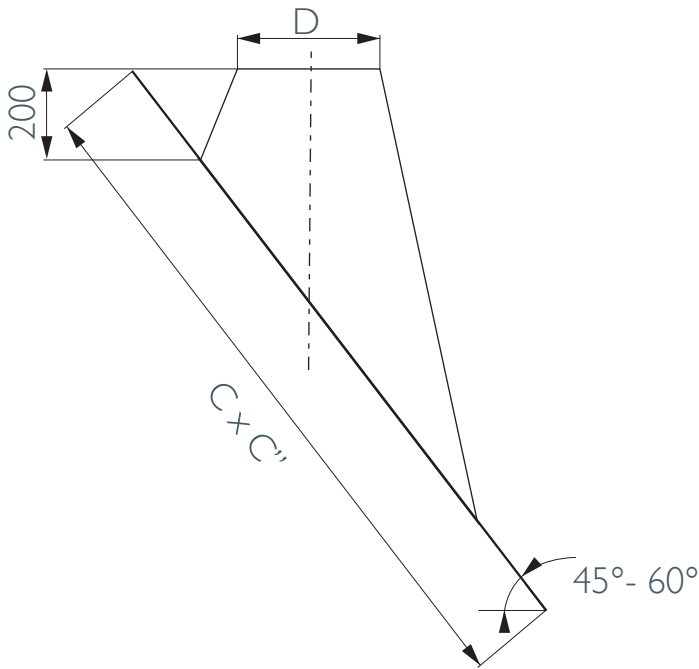
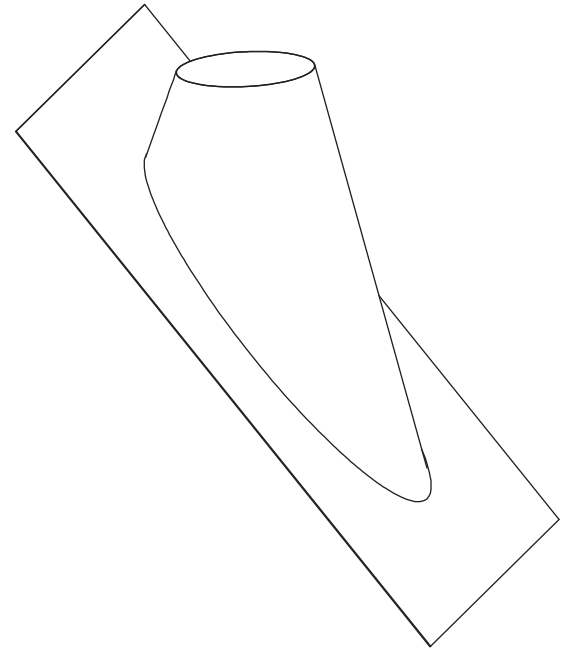
MFLE

Lead slope roof flashing 45° - 60°

Dachdurchführung 45° - 60° mit bleier Platte

Solin de toit incliné pente 45° - 60° base plomb

Loden slabpan 45° - 60°



| | | | | | | |
|---------|--------|--------|--------|--------|--------|--------|
| Ø | 100 | 130 | 150 | 180 | 200 | 250 |
| D | 160 | 215 | 215 | 235 | 265 | 335 |
| C | 750 | 750 | 750 | 750 | 1000 | 1000 |
| C'' | 1000 | 1000 | 1000 | 1100 | 1200 | 1300 |
| SAPcode | 164919 | 164920 | 162481 | 164921 | 164922 | 164923 |