

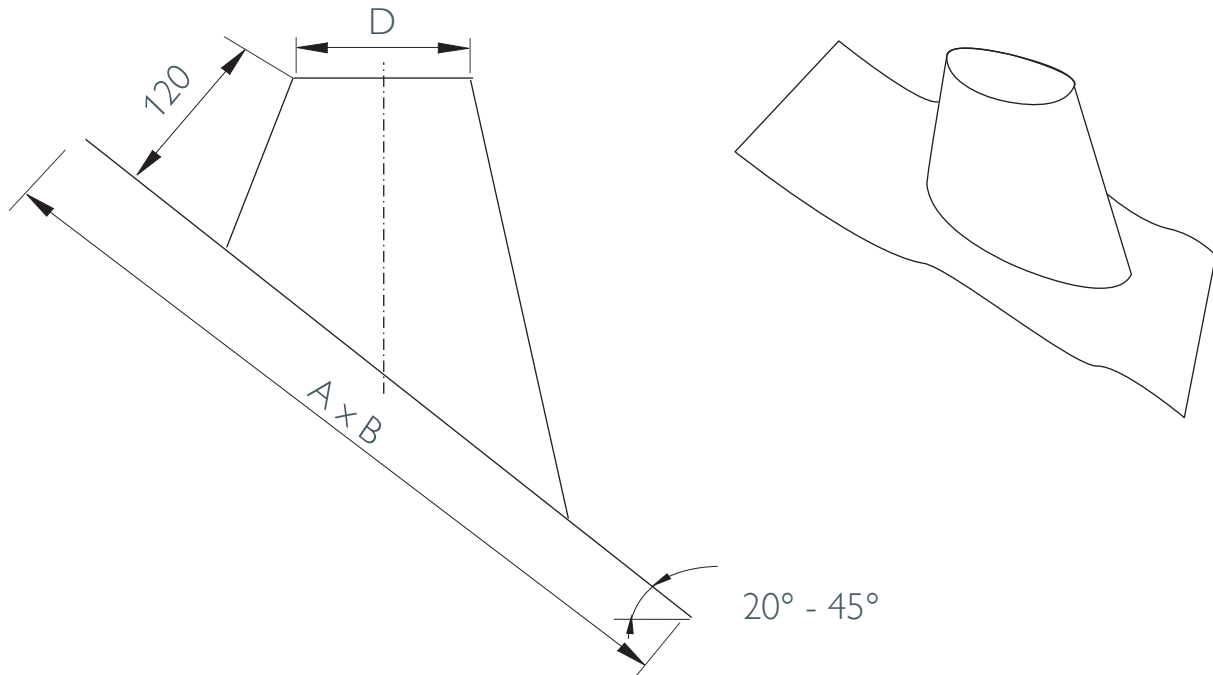
# ADLS

Lead slope roof flashing 20° - 45°

Dachdurchführung 20° - 45° mit bleier Platte

Solin de toit incliné pente 20° - 45° base plomb

Loden slabpan 20° - 45°



|         |        |        |        |        |        |        |        |        |        |        |        |
|---------|--------|--------|--------|--------|--------|--------|--------|--------|--------|--------|--------|
| Ø       | 130    | 150    | 180    | 200    | 250    | 300    | 350    | 400    | 450    | 500    | 600    |
| A       | 750    | 750    | 750    | 750    | 1000   | 1000   | 1000   | 1000   | 1100   | 1200   | 1300   |
| B       | 1000   | 1000   | 1000   | 1000   | 1000   | 1000   | 1100   | 1100   | 1200   | 1300   | 1400   |
| D       | 215    | 235    | 265    | 285    | 335    | 385    | 435    | 485    | 535    | 585    | 685    |
| SAPcode | 164547 | 164548 | 164549 | 164550 | 164551 | 164552 | 158987 | 158988 | 158989 | 158990 | 158991 |