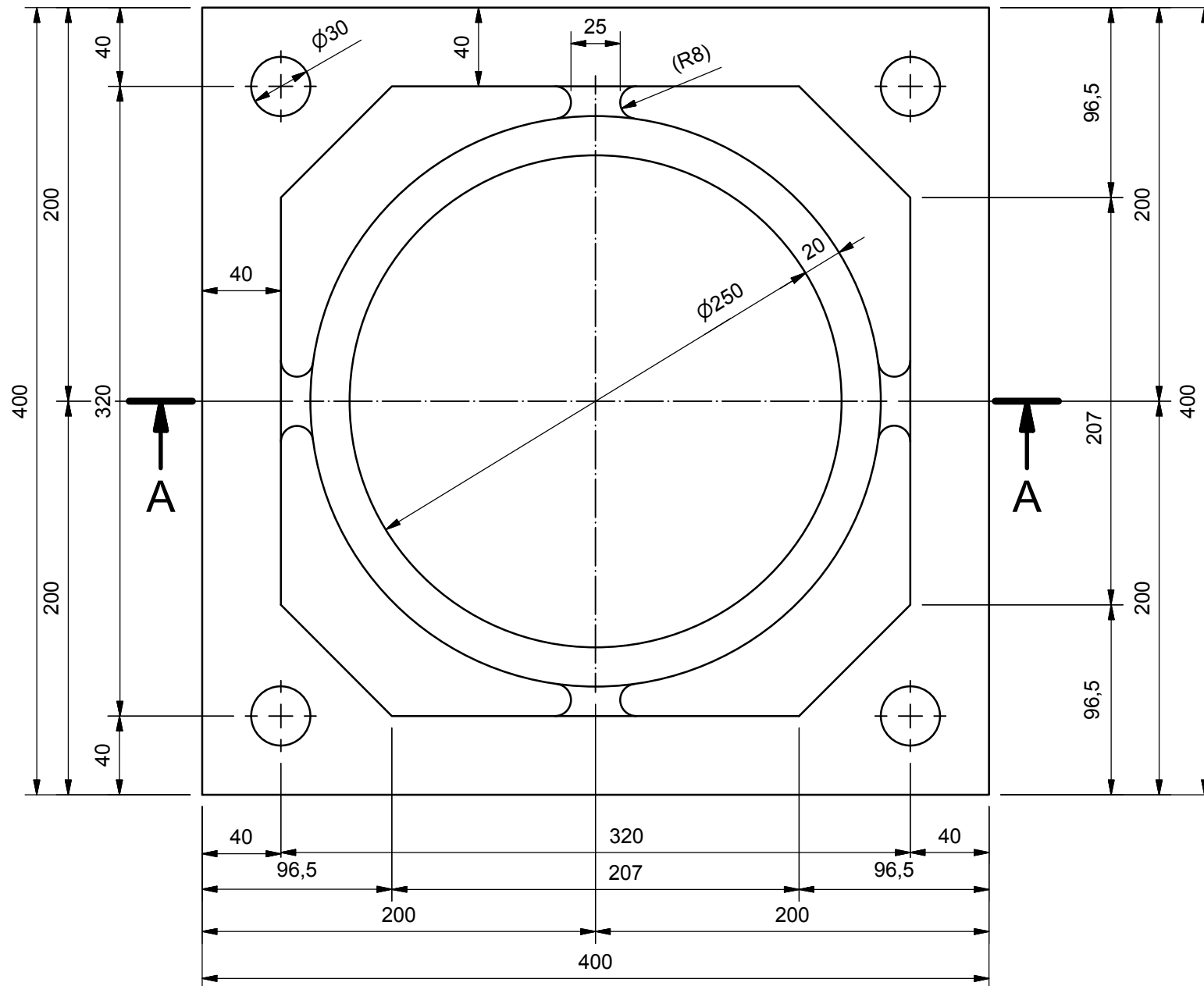
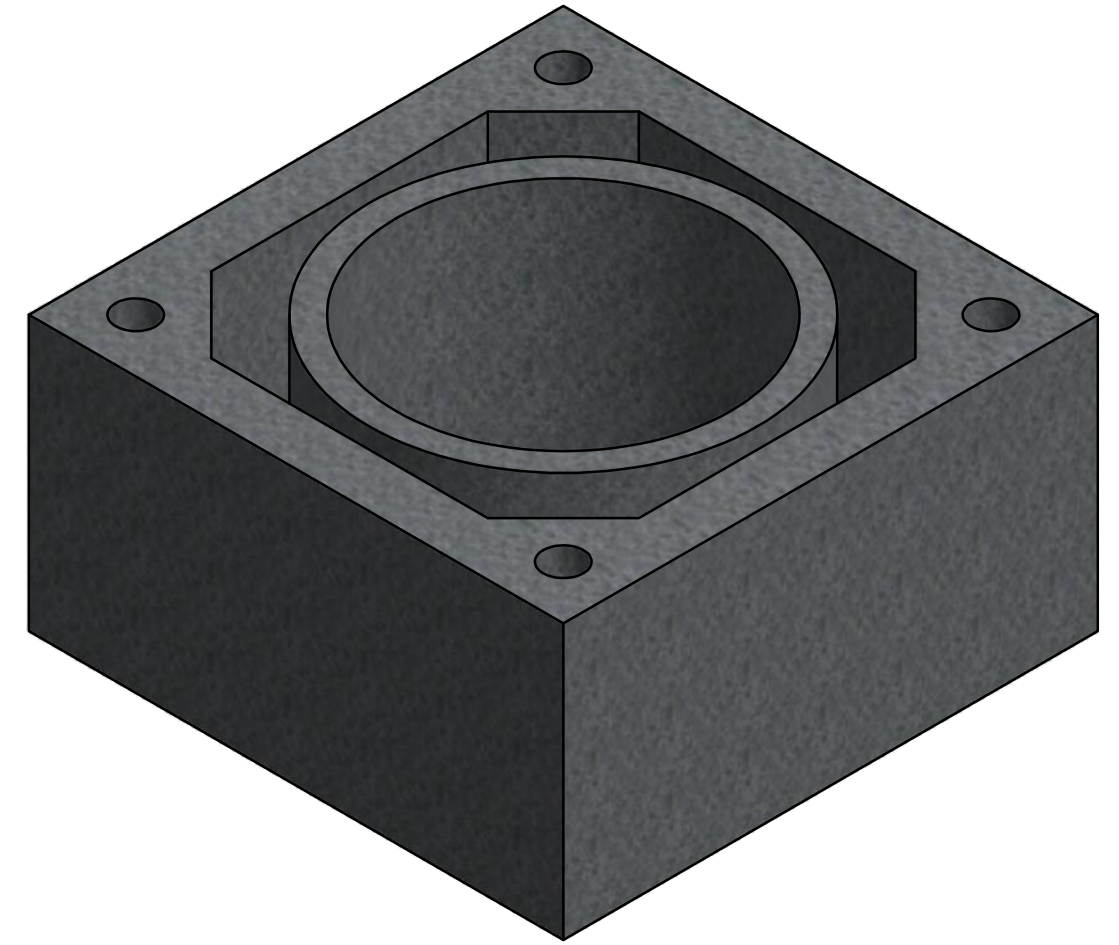
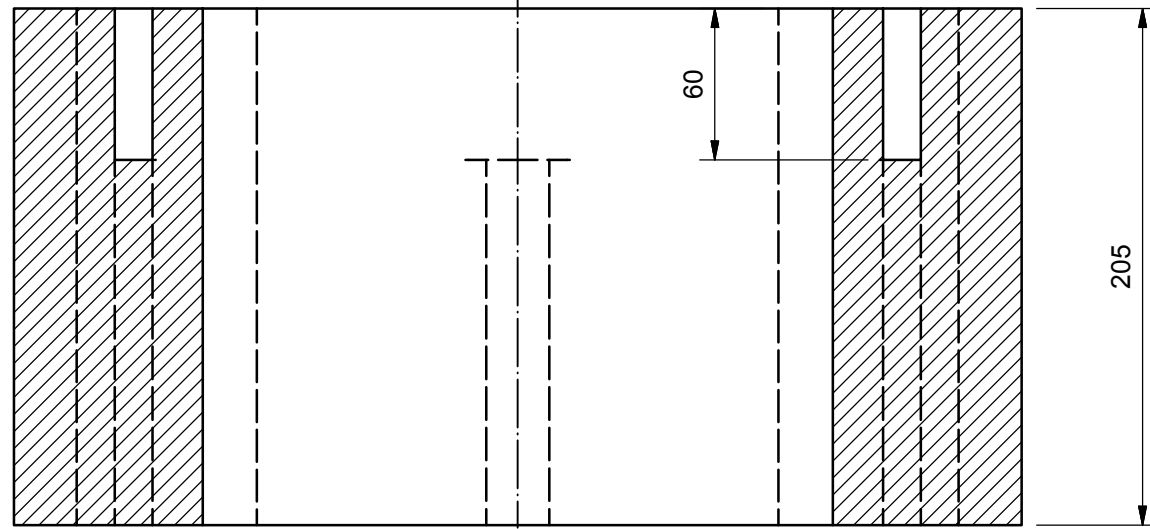


Schnitt: A-A



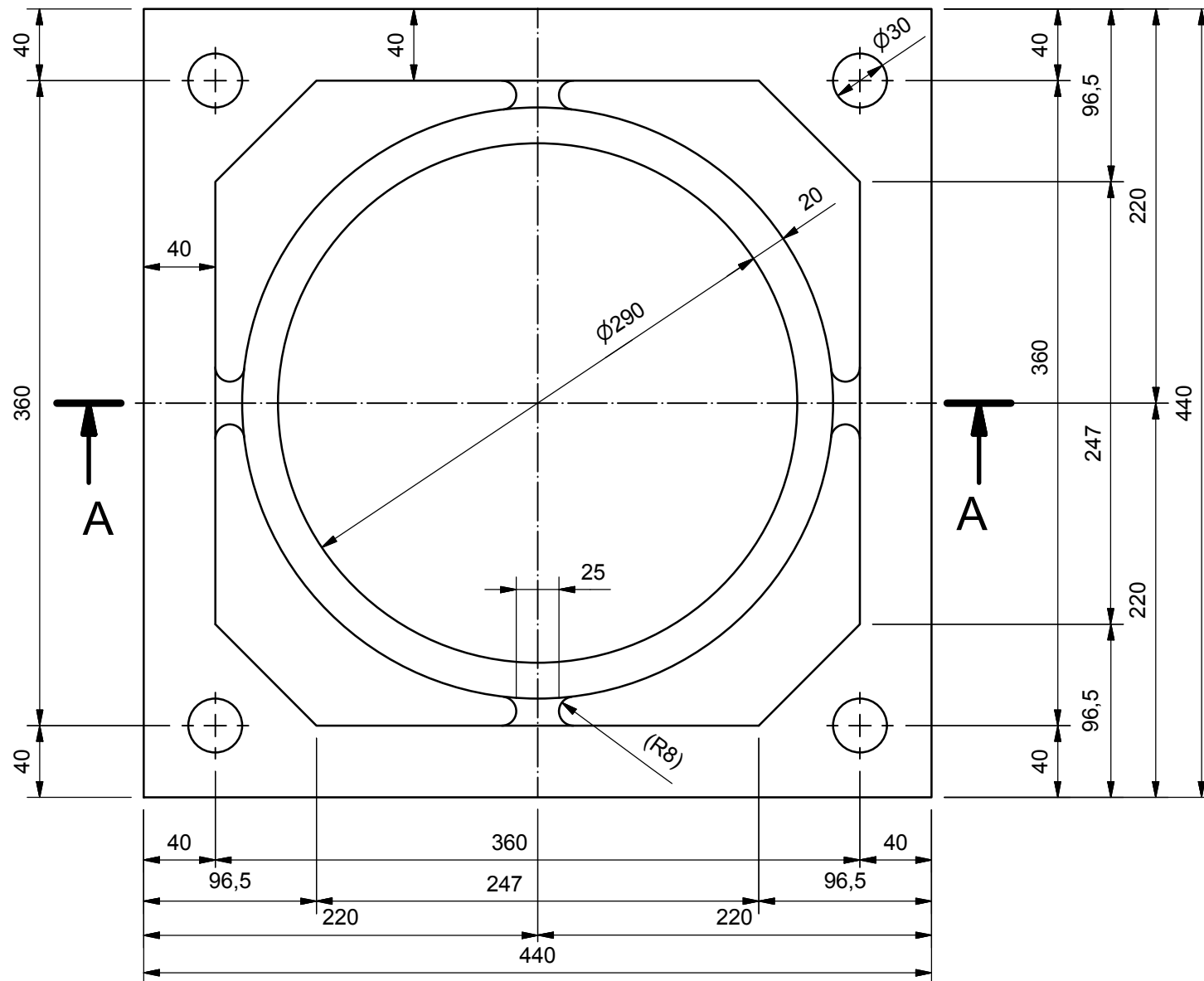
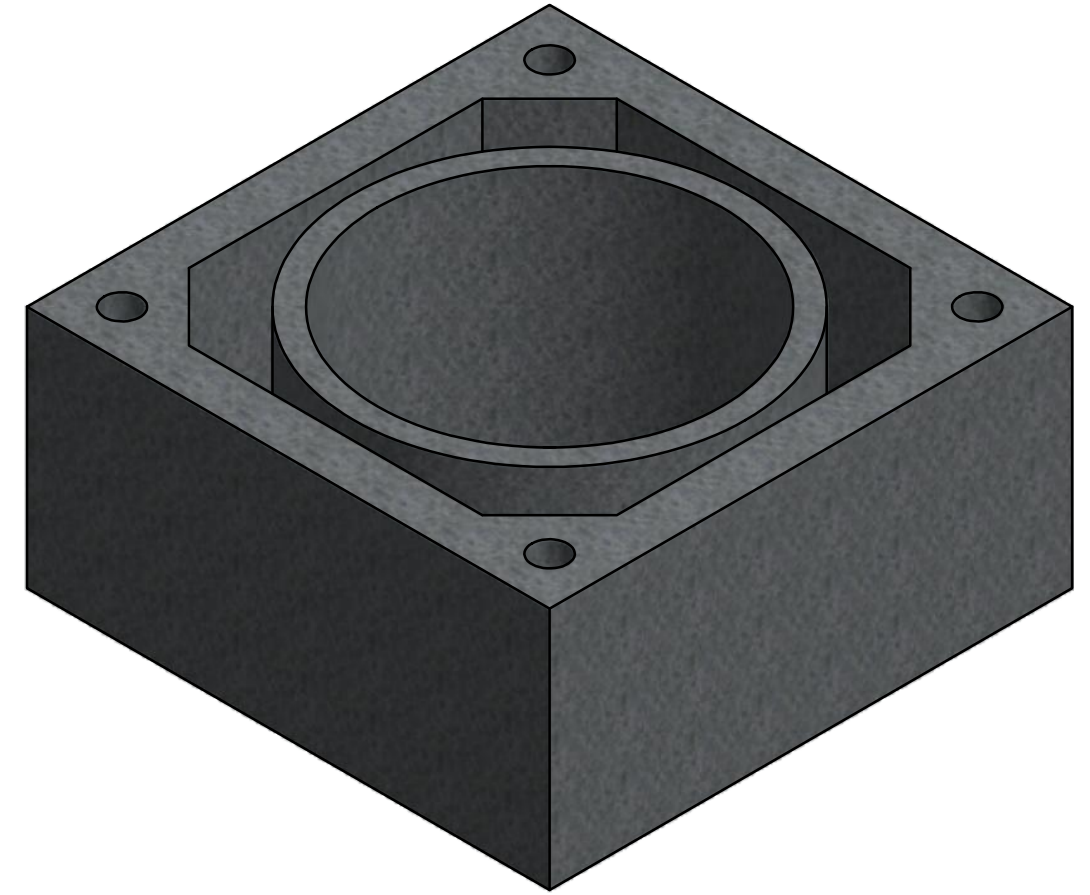
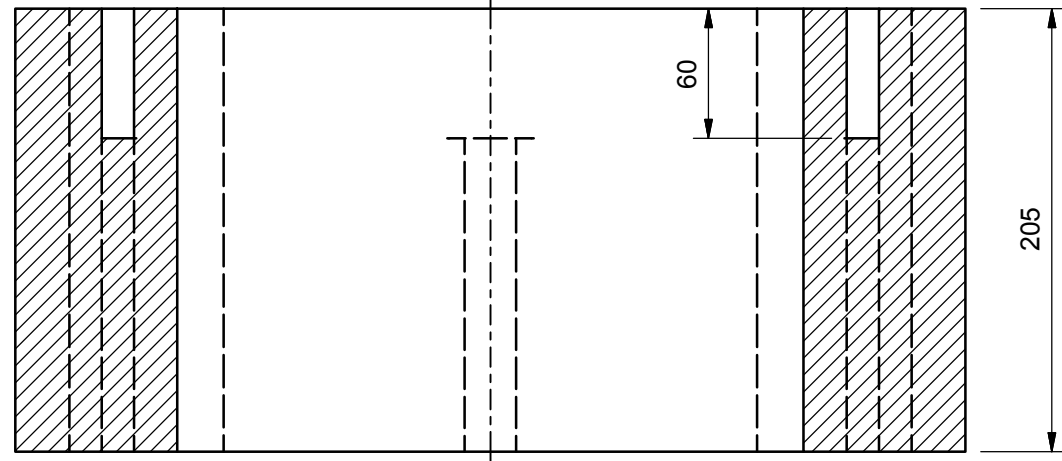
Volumen: 16,26 dm³
 Rohdichte: 830 kg/m³ ± 10%

Gewicht Mantelstein: 13,50 kg

Druckfestigkeit: ALB 6 Mittelwert über 7,5 N/mm²
 kein Einzelwert unter 6 N/mm²

Rendition and dissemination of this document as well as utilization and report of the content are not permitted, without prior written consent. Offences obligate to compensation.		MEASURE IN mm		SCALE		SYSTEM	
All rights, including rights created by patent grant or registration of an utility model or design, are reserved.		General tolerances for nominal dimensions without specified tolerance.				PART/ASSEMBLY/PROJECT	
						ISOKERN	
		DATE		NAME		DESIGNATION	
		DRAWN 04.03.13		KHu		Mantelstein SOLID VENT	
		CHECKED 04.03.13		KHu		EZ Ø16 40 x 40cm	
		SIGNATURE				DRAW.ID. S36846-05-0	
						SHEET 1 / 1	
						PRO.ID.CZ. A3	
REV.	MODIFICATION	DATE	NAME	SCHIEDEL			
				SCHIEDEL AG			
				Schönbrunner Straße 289			
				A-1120 Wien			

SCHNITT: A-A



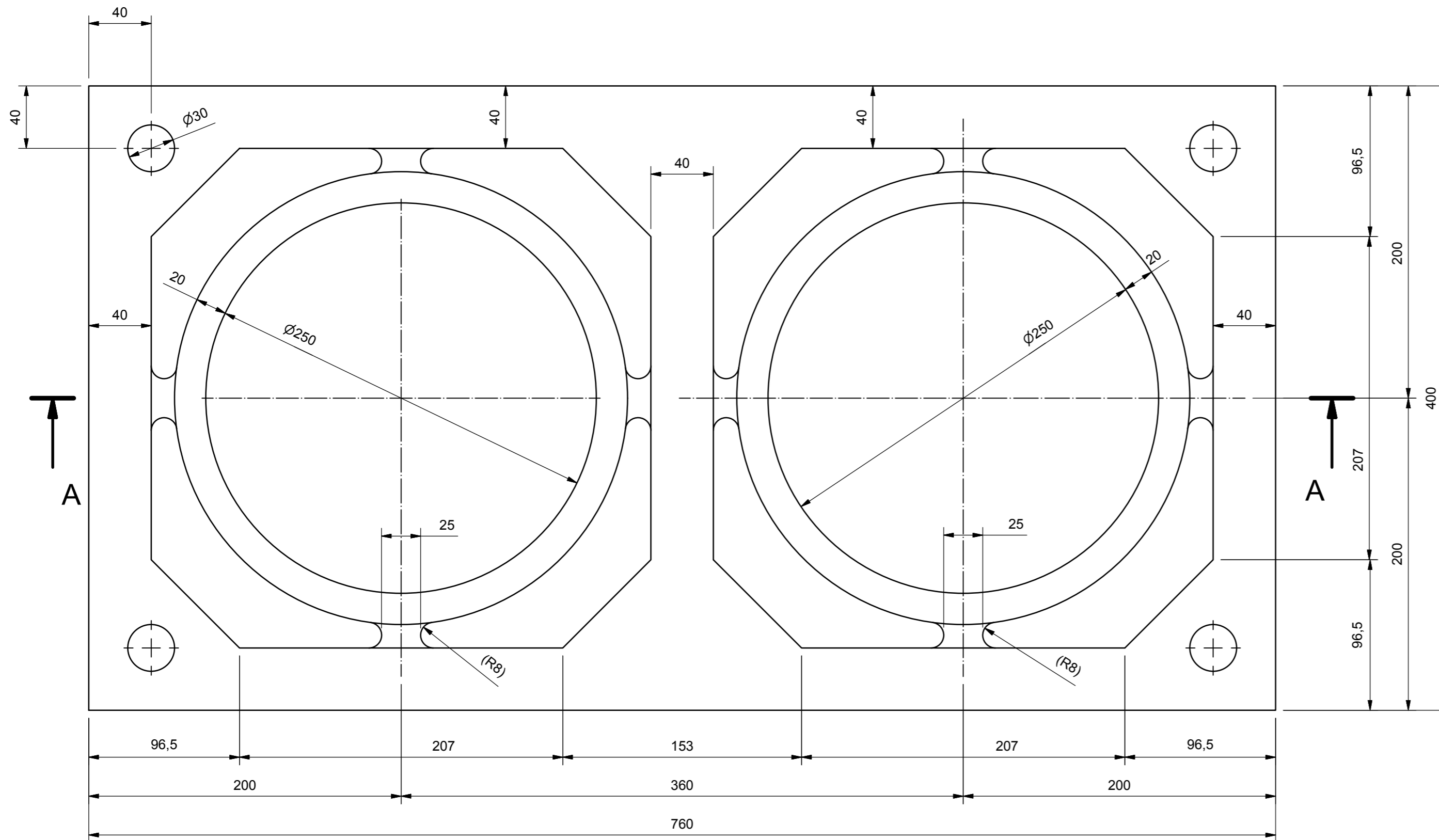
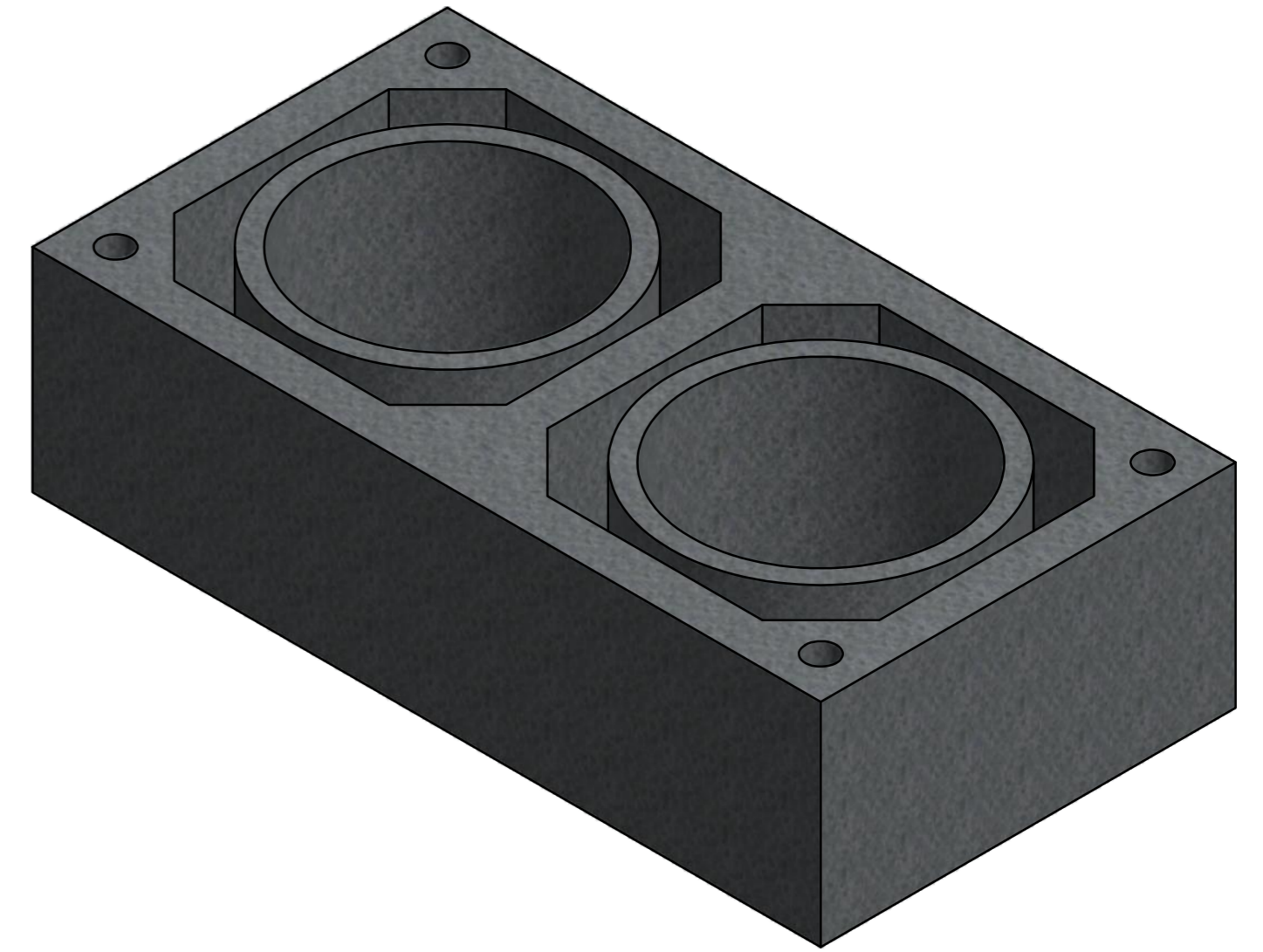
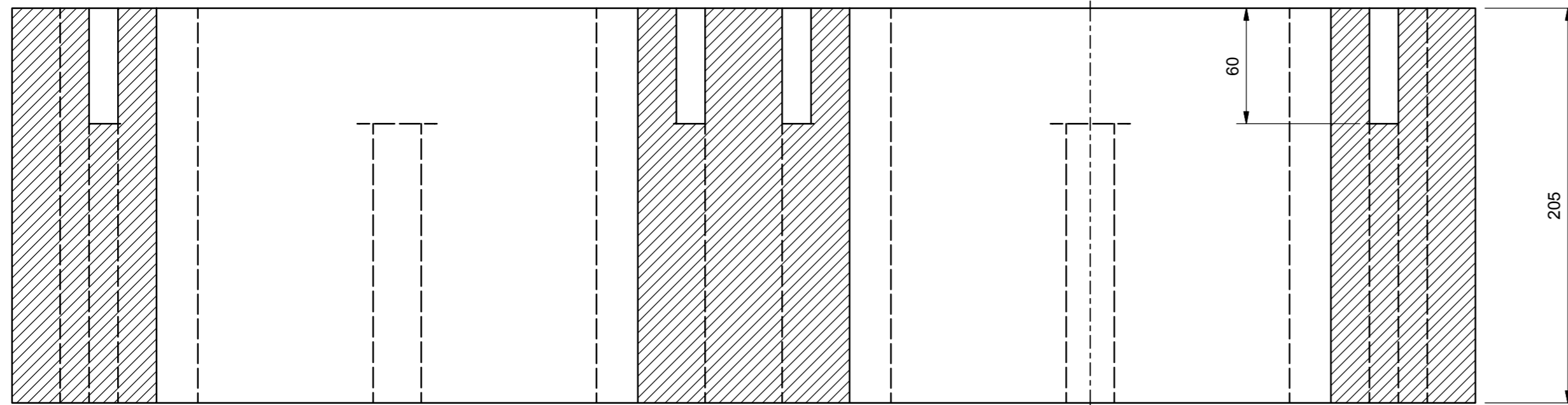
Volumen: 18,08 dm³
 Rohdichte: 830 kg/m³ ± 10%

Gewicht Mantelstein: 15,01 kg

**Druckfestigkeit: ALB 6 Mittelwert über 7,5 N/mm²
 kein Einzelwert unter 6 N/mm²**

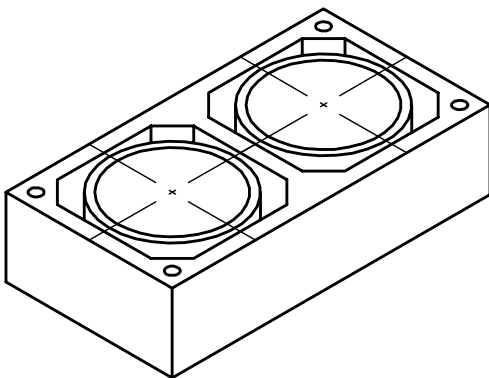
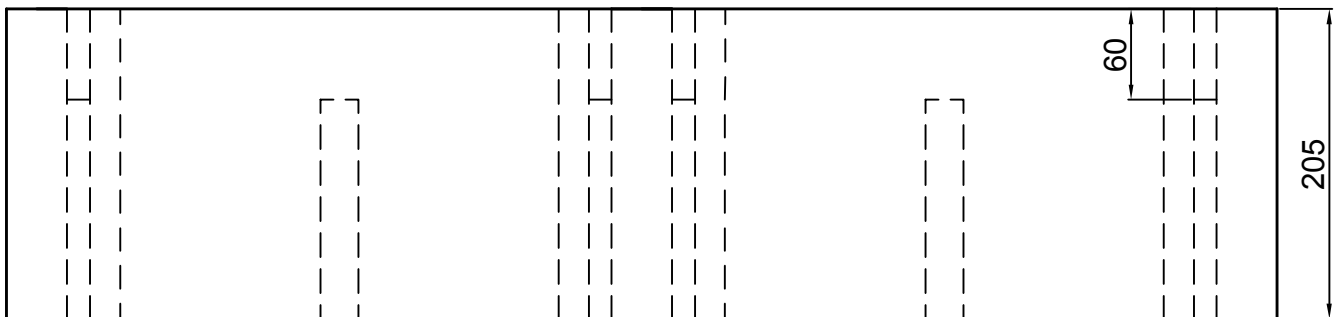
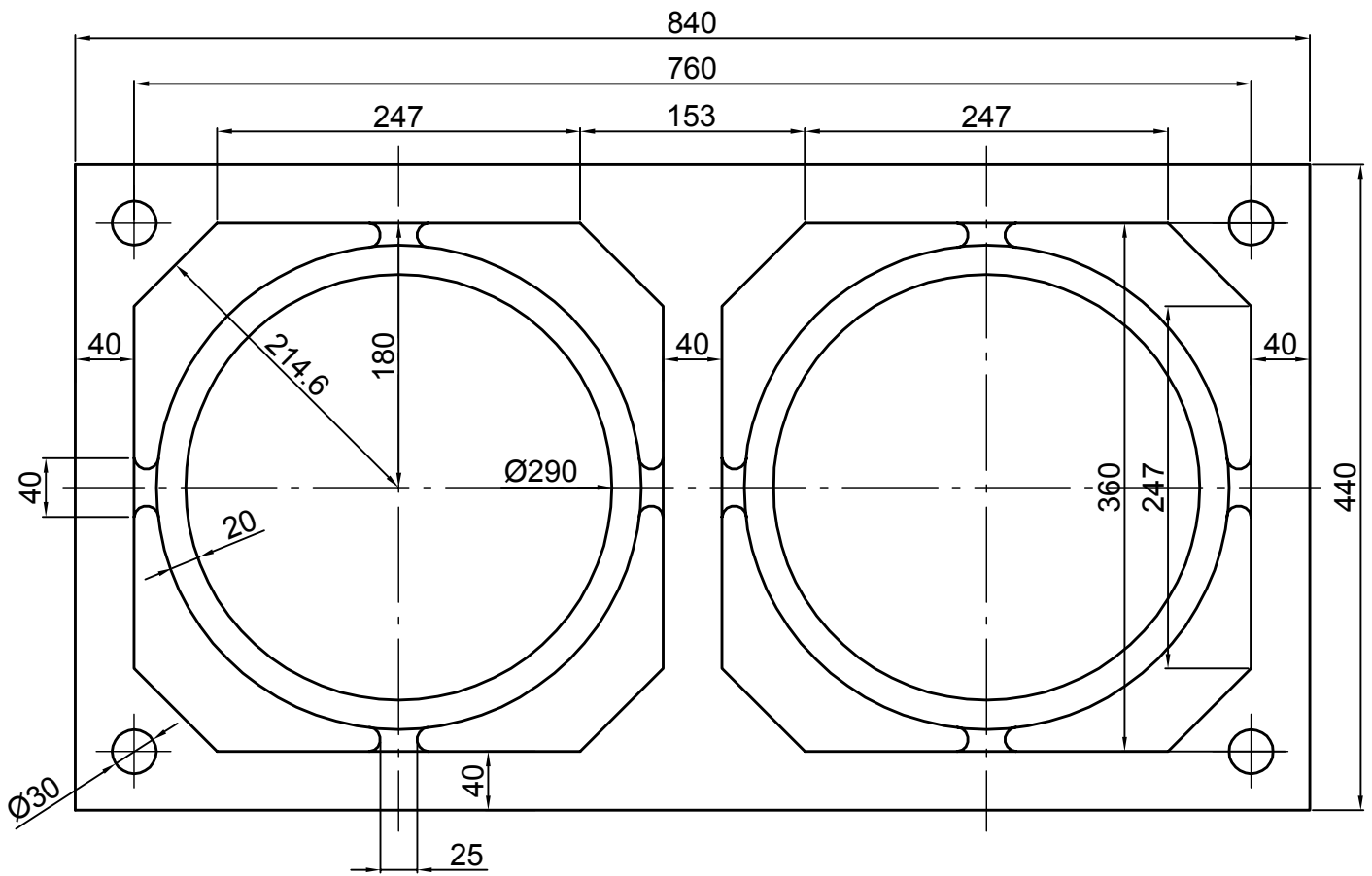
<small>Rendition and dissemination of this document as well as utilization and report of the content are not permitted, without prior written consent. Offences obligate to compensation.</small>			MEASURE IN mm	SCALE	SYSTEM	
<small>All rights, including rights created by patent grant or registration of an utility model or design, are reserved.</small>		General tolerances for nominal dimensions without specified tolerance.			ISO 2768-m	
			DATE	NAME	PART/ASSEMBLY/PROJECT ISOKERN	
			DRAWN 27.02.13	KHu		
			CHECKED 04.03.13	KHu		
		SIGNATURE			DESIGNATION Mantelstein SOLID VENT EZ Ø20 44 x 44cm	
					DRAW.ID. S36836-05-0	SHEET 1 / 1
		SCHIEDEL AG Schönbrunner Straße 289 A-1120 Wien			PRO.ID.CZ.	A3
REV.	MODIFICATION	DATE	NAME			

SCHNITT: A-A



Volumen: 29,8 dm³
 Rohdichte: 830 kg/m³ ± 10%
Gewicht Mantelstein: 24,73 kg
**Druckfestigkeit: ALB 6 Mittelwert über 7,5 N/mm²
 kein Einzelwert unter 6 N/mm²**

Rendition and dissemination of this document as well as utilization and report of the content are not permitted without prior written consent. Offences obligate to compensation.		MEASURE IN mm	SCALE	SYSTEM
All rights, including rights created by patent grant or registration of an utility model or design, are reserved.				
General tolerances for nominal dimensions without specified tolerance.		ISO 2768-m		
DATE	NAME	DRAWN	28.02.13	KHu
CHECKED	04.03.13	KHu		
SIGNATURE				
SCHIEDEL		SCHIEDEL AG		
SCHIEDEL AG		Schönbrunner Straße 289		
A-1120 Wien		DESIGNATION		
		Mantelstein SOLID VENT		
		ZZ Ø16 76 x 40cm		
REV.	MODIFICATION	DATE	NAME	DRAW.ID.
				S36837-05-0
PRO.ID.CZ.				SHEET
				1 / 1
				A2



Industrivej 23
7470 Karup J, Denmark

Salgstekst: _____ (840x440x205)			
Shorttekst: OUTER_PUM_840/440/205/-/-/SV			
Materiale: PIMPSTEN	Mål: 1:5	Areal:	Volume:
Tolerancer: ±3 mm		Dato: 12-12-2017	SAP nummer:
		Ansvarlig: AFS / AK	13 _____
Bemærkning: STØBES I FORM ____ PÅ KVM			