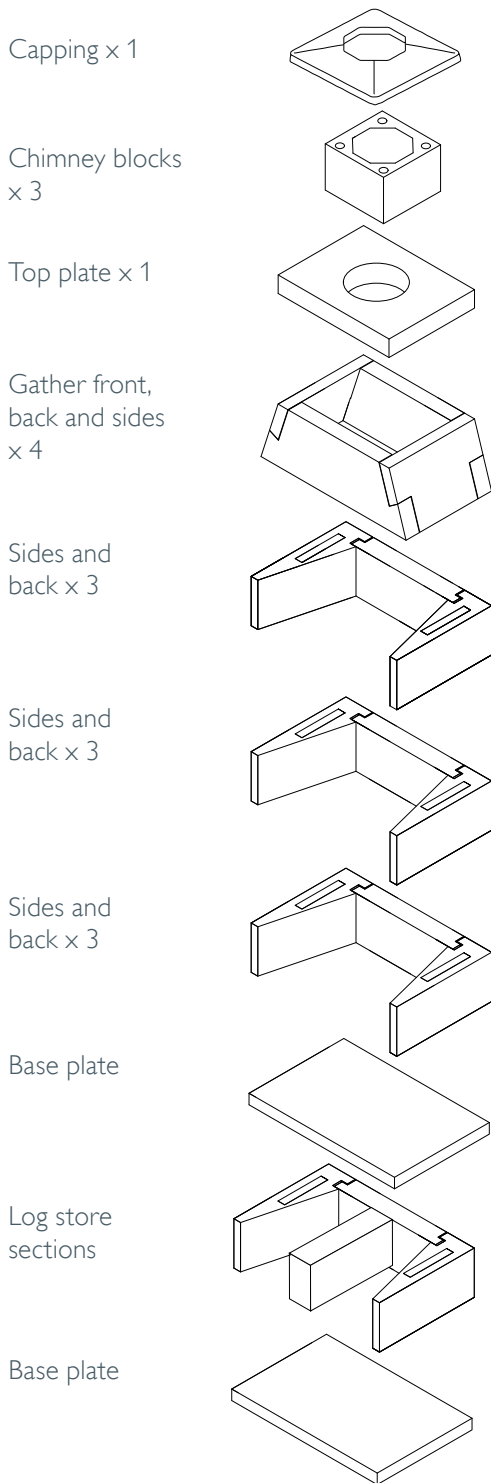




Kingham Outdoor Kitchen installation instructions

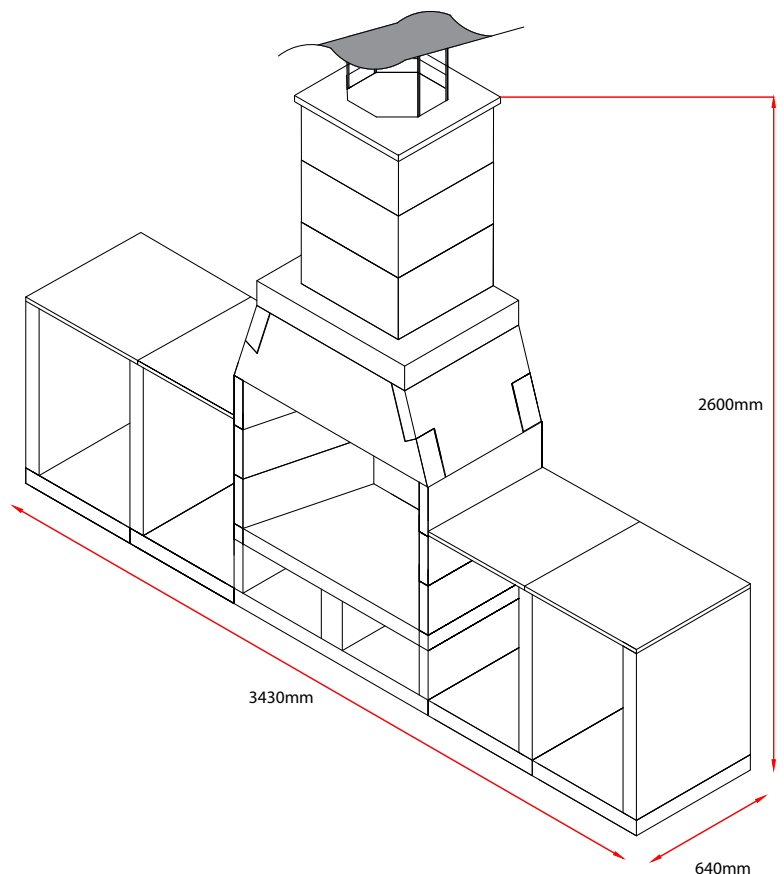
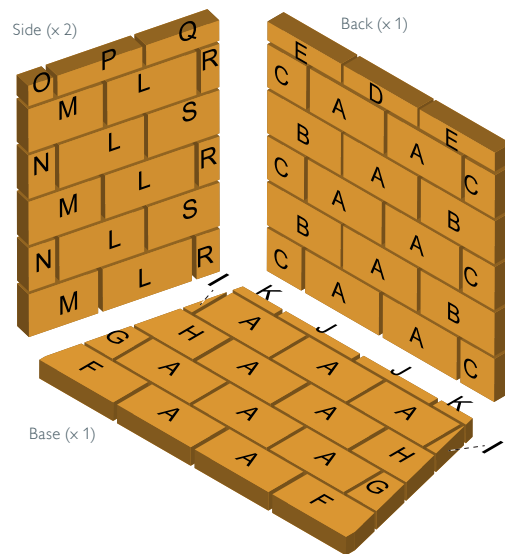
Build, rendering, firebricks and accessories

Main unit diagram



The Kingham comes complete with the following components:

- 2 bags of 20kg lip glue adhesive (for pumice components)
 - 2 bags of render
 - 1 log retainer kit (2 metal bars + 2 fixing brackets)
 - 1 bag of Calderys fire brick mortar
 - 1 set of pre-cut firebricks (see diagram below)
- Fire brick diagram and parts for the model (see page 13 for more details)



Preparation

The Garden Fire needs to be built onto a firm foundation. It should not be built directly onto decking. Schiedel recommends that a minimum 100mm reinforced concrete base is used to support the structure.

A distance of 75mm should be left between the Garden Fire and any wooden or other combustible material.

Instructions - Log store



Create a suitable base. We recommend 100mm thick reinforced concrete. Bed the base plate using the supplied adhesive or mortar mix. Check every stage is level.



Mix lip glue jointing adhesive as per instructions on the bag. Apply 15-20mm beads using the supplied application bag as shown in the picture above.



Press one side block into place and apply lip glue into the slot as shown.



Press back panel into place and then add the remaining side panel.



Press the middle section down on to the adhesive and apply additional adhesive as shown.



Press the base plate of the firechest down on to the log store. Keep checking all is level and remove any excess lip glue.

Instructions - Firechest



Bed the base plate using the supplied lip glue onto the log store or a suitable 100mm thick reinforced concrete base. Check every stage is level.



Press one side block into place and apply the lip glue into the slot as shown.



Press back panel into place and the other side block.

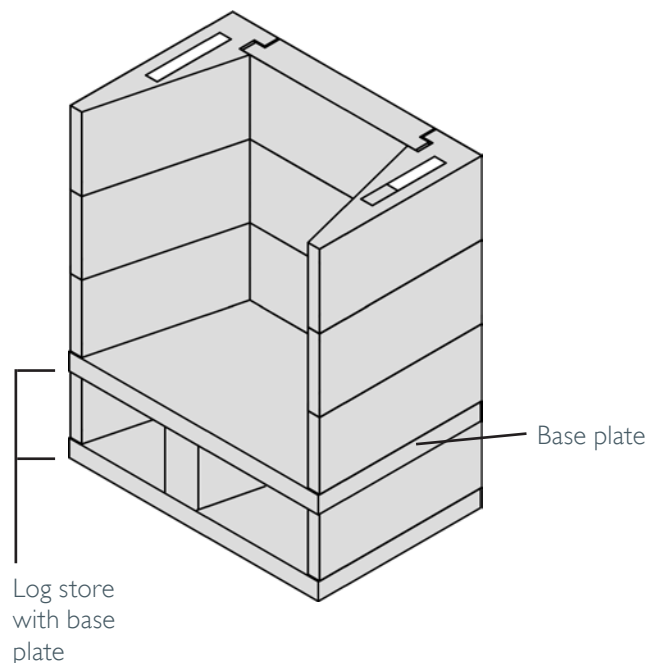


Apply the lip glue adhesive on top of the first layer.



Add a further 2 layers of side blocks and back panels applying lip glue adhesive between each layer and at each joint. In total there are 3 layers on top of the base plate, as per the image. (If the log store option is not being used, then this base plate will be bedded directly on to a suitable prepared base.

Step 1 Base, sides and back complete



Instructions - Gather unit



Apply lip glue to the top layer and then press the front and rear sections of the gather into place.



Apply lip glue to the joints on the sides of the front and rear panels of the gather.



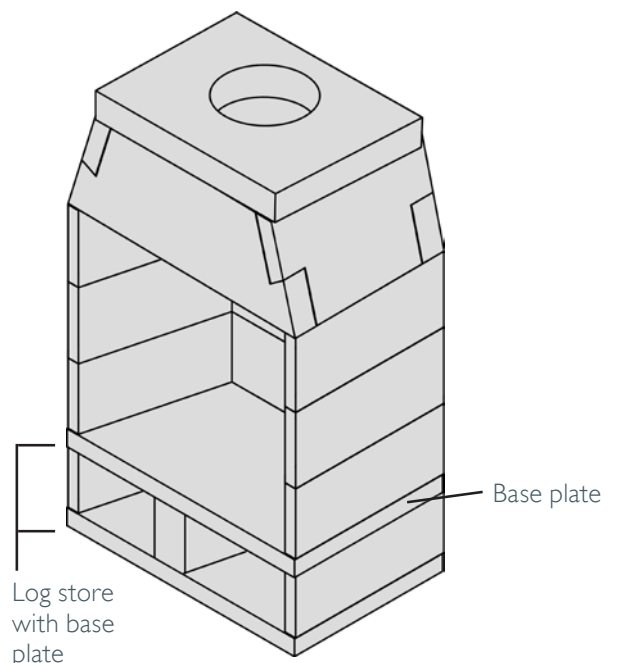
Press the side panels of the gather into place.



Apply lip glue to the top of the gather unit and then press the top plate into position with the hole offset closer to the rear section of the gather. Ensure the top section is level. Clean off any excess glue

Step 2 Gather Unit section complete

At this stage the Garden Fire should resemble the image with the gather unit above the three rows of the firechest area, a base plate with the log store beneath the base plate (if the log store option is being used)



Instructions - Chimney blocks



Spread lip glue adhesive in the shape of the chimney block.



Press the first chimney block into place, checking it is in the correct position above the hole in the top plate.



Glue on the next two chimney blocks.

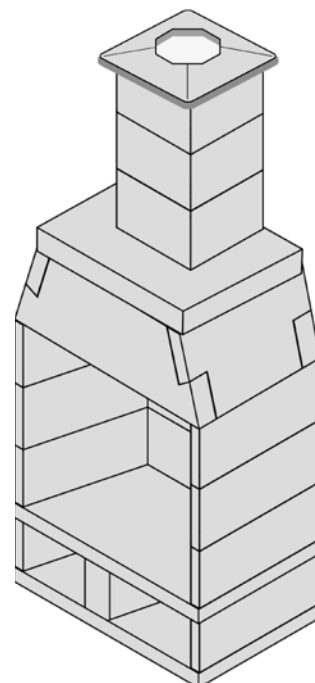


Glue on the capping.

Step 3 Blocks and capping complete

The fireplace is now complete with chimney blocks and capping. After the raincap is added and the glue is touch dry, the rendering stage will commence.

This graphic shows a fireplace with the log store and base plate at the bottom.



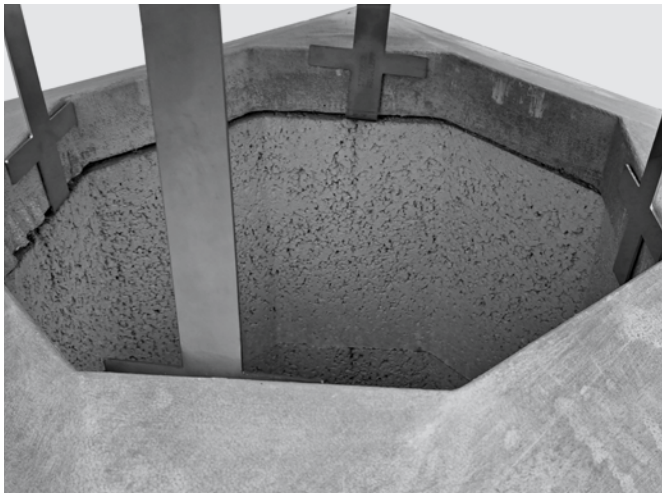
Raincap



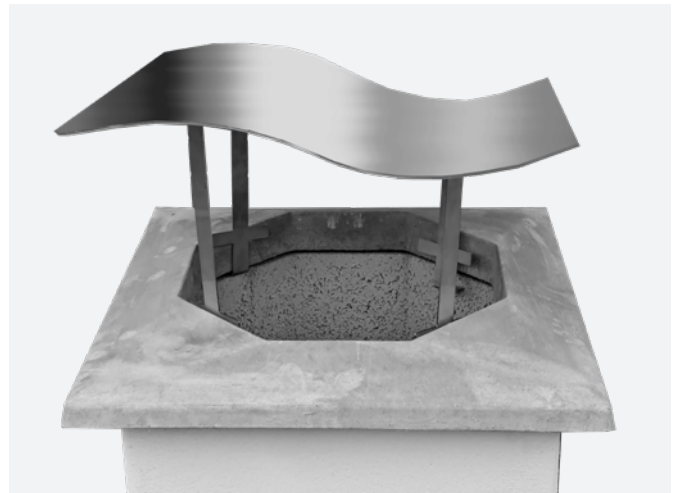
Locate the etching on the top of the Raincap and loosely fix legs (on the underside) in position according to etching marked on each one.



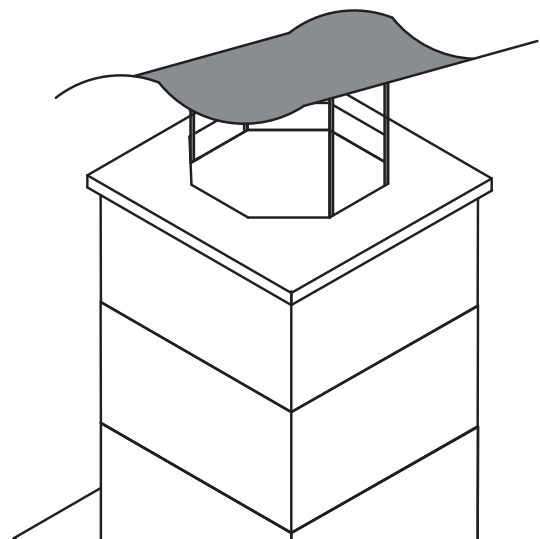
When the capping is being glued into place, slide the wave legs into the lip glue joint (as per pic).



All are now positioned



Tighten the bolts on the Raincap



Instructions - Side log stores (left and right)



Bed the two base plates side by side using the lip glue supplied making sure they are level.



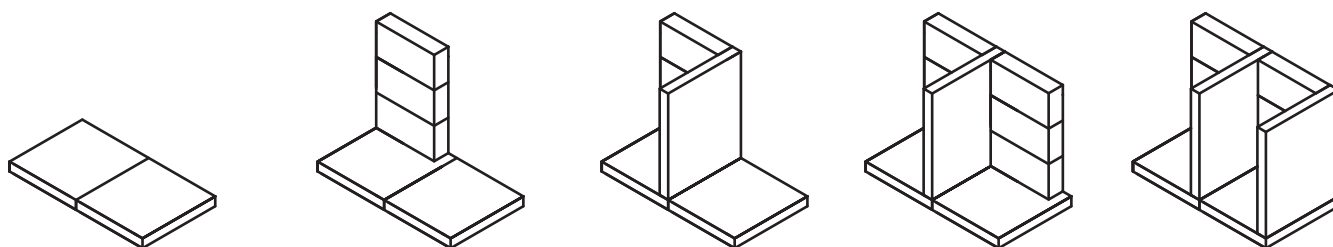
Apply adhesive along the edges.



Glue on the next three back sections and then the outer side.



And repeat on the adjacement base.



Repeat the process for the left hand storage. We recommend rendering the storage before fitting the doors and granite tops.



Instructions - Rendering



Render plaster

To be mixed, adhered to the surface and smoothed over by a competent person. As this is heat resistant plaster, it requires more care and pressure to spread than traditional plaster, which is much smoother.

Render plaster is designed for one coat, if you require more coats you will need to purchase more render.



Burn off the fibres on the external surface before rendering.



Mix the render as per the instructions on the bag.



Render the surface areas.



Render the surface areas, including the log store, but don't render the top of the log store areas (as granite will be placed there).



Smooth the render after completion.

Instructions - Wood doors



The components for the wood doors and panels comprise of the above parts.



After rendering, align the hinge to the logstore, ensuring the door is below the top of the logstore (a 5mm gap is fine).



Secure the hinge to the pumice logstore with the screws provided.



Attach the magnetic latch to the inside of the logstore with the screws provided.



Mark with a pencil the end of the magnetic latch on the door.

Instructions - Wood doors



Attach the metal ring to the door.



Test that the door closes and opens correctly. Adjust where needed.

Detailed instructions on doors and panels

ATTACHING THE BACK PANEL UPRIGHT SUPPORT

- Take two 8 x 80mm hammer fit fixings and position them per upright support.
- Locate the designated points on the back panel where the fixings will be inserted.
- Using an 8mm drill bit, create pilot holes into the blockwork at these points.
- Place the back supports against the pilot holes, ensuring proper alignment.
- Drill through the pre-drilled pilot holes on the back supports into the blockwork.
- Insert the fixings into the wood and secure them into the blockwork by hammering.
- To ensure a tight fit, utilize an impact driver or electric screwdriver to tighten the fixings.

ATTACHING THE SIDE PANEL UPRIGHT SUPPORT

- Take two 8 x 60mm hammer fit fixings and position them per upright support.
- Locate the designated points on the back panel where the fixings will be inserted.
- Using an 8mm drill bit, create pilot holes into the blockwork at these points.
- Place the back supports against the pilot holes, ensuring proper alignment.
- Drill through the pre-drilled pilot holes on the back supports into the blockwork.
- Insert the fixings into the wood and secure them into the blockwork by hammering.
- To ensure a tight fit, utilize an impact driver or electric screwdriver to tighten the fixings.

DOOR HINGE INSTALLATION

- For each hinge, prepare four Rawlplugs, eight for each of the doors.
- Locate the center of each hole on the door where the hinges will be positioned.
- Drill 7mm pilot holes at these marked points, ensuring a depth of 30mm.
- Insert the Rawlplugs into the pilot holes by hammering them in.
- Align the door with the hinges fully extended and position it accordingly.
- Securely attach the hinges to the blockwork by screwing them in place.

NOTE: It is important to exercise caution and follow proper safety guidelines while carrying out the installation process.

PUSH LATCH INSTALLATION

- For the block with the Push Latch on, prepare four rawlplugs per block.
- Locate the center of each hole on the block and mark.
- Drill 7mm pilot holes at these marked points, ensuring a depth of 40mm.
- Insert the Rawlplugs into the pilot holes by hammering them in.
- Align the block with the holes.
- Securely attach the hinges to the blockwork by screwing them in place with the 6 x 60mm screws provided.
- Mark where the push latch meets the door and attach the small metal washer with the screw provided.

NOTE: It is important to exercise caution and follow proper safety guidelines while carrying out the installation process

Instructions - Granite top and panels



On both outer sides of the garden fireplace a metal bracket is to be fitted level with the top of the side stores to support the granite.



Add glue to the top of the storage and then place the granite top across the two.



Add the second granite top.



Place the side wooden panel on top of the granite. Fix with screws provided, flush to the back.

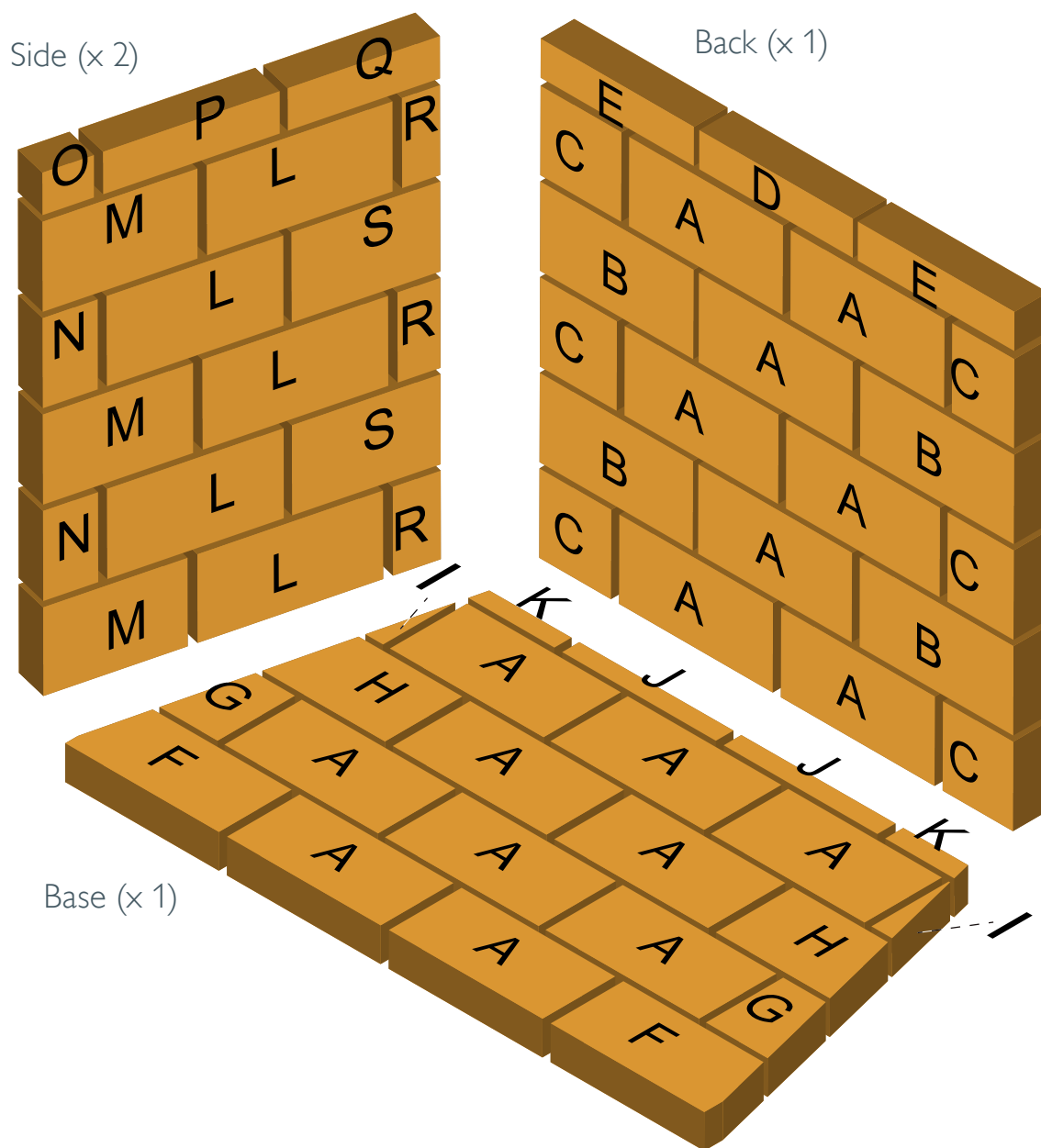


Re-fix the two long supports to the back panel, as shown above. Then fix the back wooden panel to the log stores with the screws provided.



Attach the top and bottom metal brackets to the side and back panels.

Garden Fireplace firebricks guide



Brick	L	W	D
A	230	114	50
B	214	114	50
C	95	114	50
D	230	52	50
E	214	52	50
F	220	114	50

Sizes in mm

Brick	L	W	D
G	71	114	50
H	160	114	50
I	15	114	50
J	230	20	50
K	102	20	50
L	230	114	25

Brick	L	W	D
M	156	114	25
N	78	114	25
O	78	52	25
P	230	52	25
Q	156	52	25
R	78	114	25
S	156	114	25

Note for all models

8mm gap between bricks.

Bedded on 1-3mm thick firebrick mortar

Firebricks to be glued on and pointed with the Calderys firebrick mortar as per enclosed instructions

Instructions - Firebricks



Mortar bag - Used for gluing on firebricks and pointing in. Mix as per instructions on the bag



Bed the firebricks on to a 3mm layer of firebrick mortar. Use the tables on the previous page as a guide.



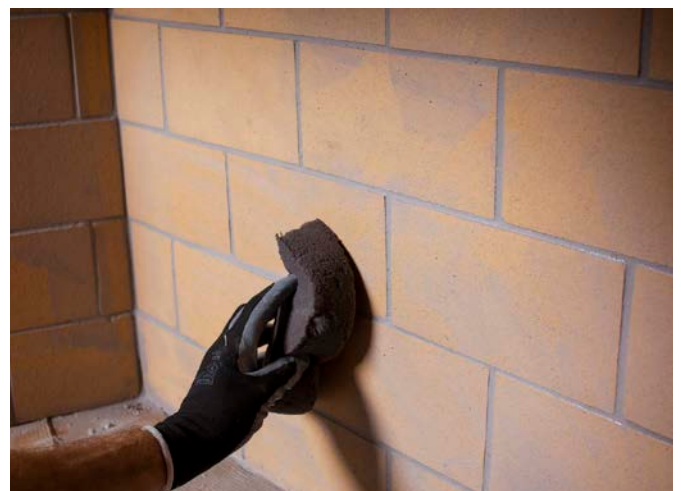
Complete the bottom layer of firebricks, then fasten the rear firebricks in place using the firebrick mortar. Use a tile spacer to keep an 8mm gap.



Once the bottom and rear firebricks are in place, fasten the side bricks in position using the firebrick mortar. Use a tile spacer to keep an 8mm gap.



Use the mortar mix to point up the joints between the firebricks once they are all in position.



Clean off excess mortar.

Instructions - Log retainer



Drill 2 x 12mm diameter holes in the front row of the firebricks. Push log retainer holders in place.



Then push fit the log retainer bars into the slots.

After completion

Once build and rendering is complete, please do not use for at least 72 hours after completion.

On first use, always light a small fire first and increase the size of the fire once the firechest has fully dried out. Only use dried and seasoned wood for the fire. Do not burn plastic or waste products.

Guarantee

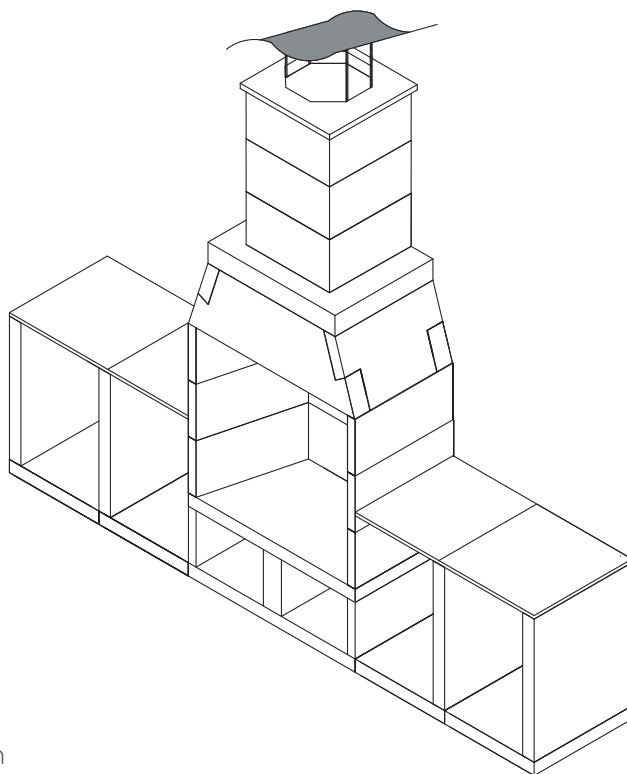
INTRODUCTION

We are confident in our products and so offer you (the owner) a generous guarantee in relation to the Garden Fireplace.

Any blocks or firebricks which are cracked or damaged at the time of delivery will be replaced free of charge.

This guarantee does not cover any major impact to the fireplace (such as wear and tear, wind damage) once the item has been constructed and rendered.

As the fireplace is an outdoor product, standard wear and tear will occur and any structural damage would have to be investigated. In the unlikely event that the fireplace becomes defective during the guarantee period, we will provide replacement component parts and render material free of charge.



Also from Schiedel: The Celsius, an all-in-one stove and volcanic chimney package

The same material used in the Garden Fireplace; formed from pumice from the Hekla Volcano



Schiedel Chimney Systems
Crowther Estate
Washington
Tyne & Wear NE38 0AQ
Tel. +44 (0)191 416 1150

sales.uk@schiedel.com
schiedel.com/uk

The Celsius system is a DEFRA exempt, A+ rated system, which allows zero distance to combustibles.



The ideal stove and chimney combined package for any house development, log cabin, conservatory or outhouse.

Get in touch for more information.

Follow us on Social Media @SchiedelUK



A standard
INDUSTRIES COMPANY